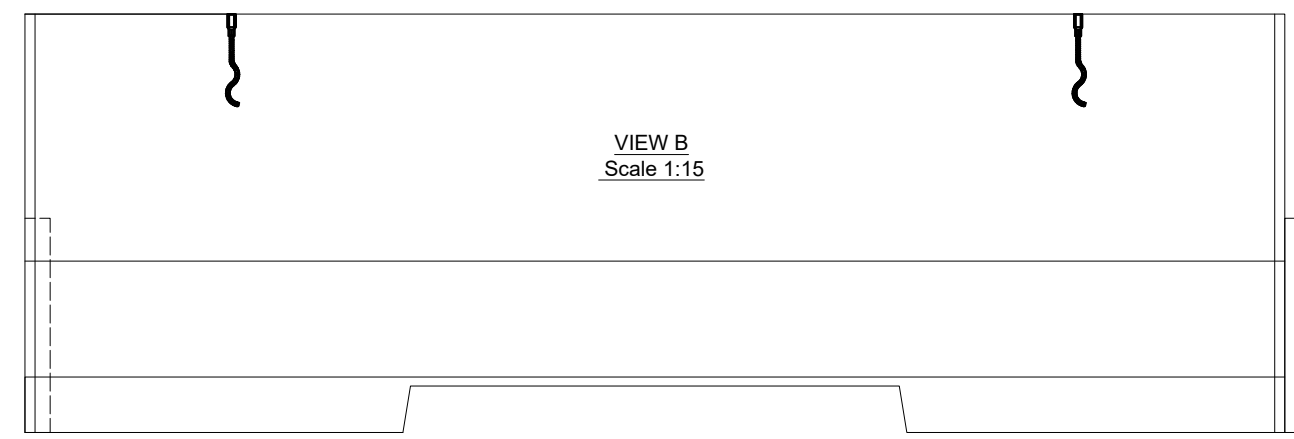
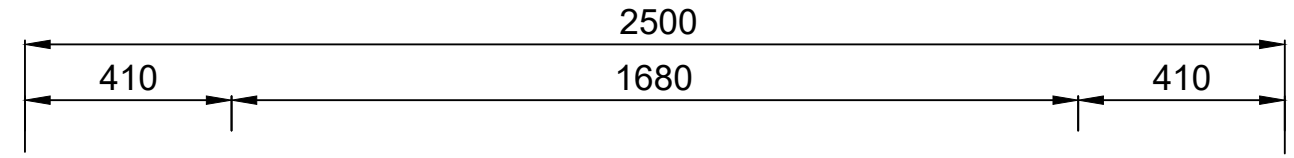
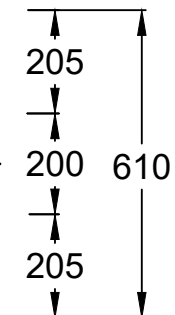
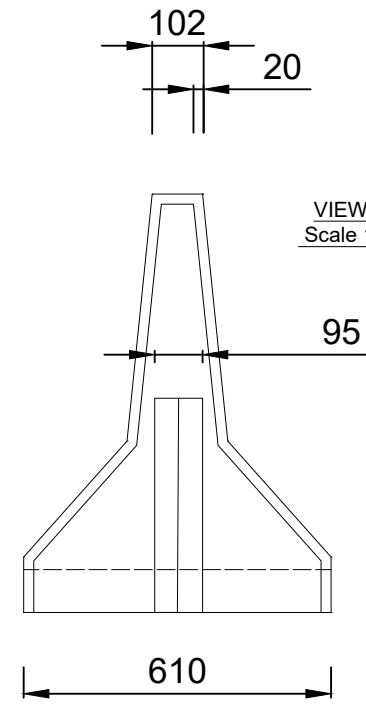
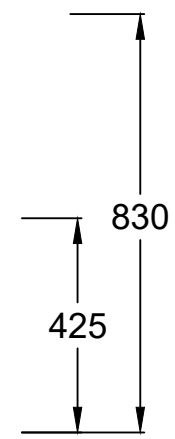


TOP VIEW
Scale 1:15



VIEW B
Scale 1:15



VIEW A
Scale 1:15

1. **Design & Manufacture :**
 - a. Design Life : 50+ years.
 - b. Tolerances : ± 5.0mm in all dimensions according to BS EN 13670.
 - c. Manufacturing according to BS EN 13369.
2. **Concrete :**
 - a. Lifting cube strength = 15 N/mm².
 - b. Characteristic 28 day cube strength = Min 40 N/mm².
3. **Reinforcement :**
 - a. None.
4. **Finishes :**

	Side	Other
Class	Steel Float	A
5. **Handling :**
 - a. For Site Lifting details refer to JP concrete
 - b. Unit Volume / weight

Unit	Unit Volume (m ³)	* Unit Weight (assuming 2.4T/m ³)
A	0.584	1.40 Tonnes ±10%

* Weight for craneage to be checked by main contractor.

First Issue	JM	FM	01/11/2019
Revision/Description	Drawn	Checked	Date
Title, Supplementary title			
JP Concrete Barrier			
Identification number	Created by		
2.5m Barrier	JM		
Document type	Technical reference		
Information use	FM		
Document Status	Approved by		
Released	TM		

Tel: 0115 822 0282
www.jpconcrete.co.uk

Plot Date	Paper size	Revision	Sheet
01/11/2019	A3	P01	1/1